

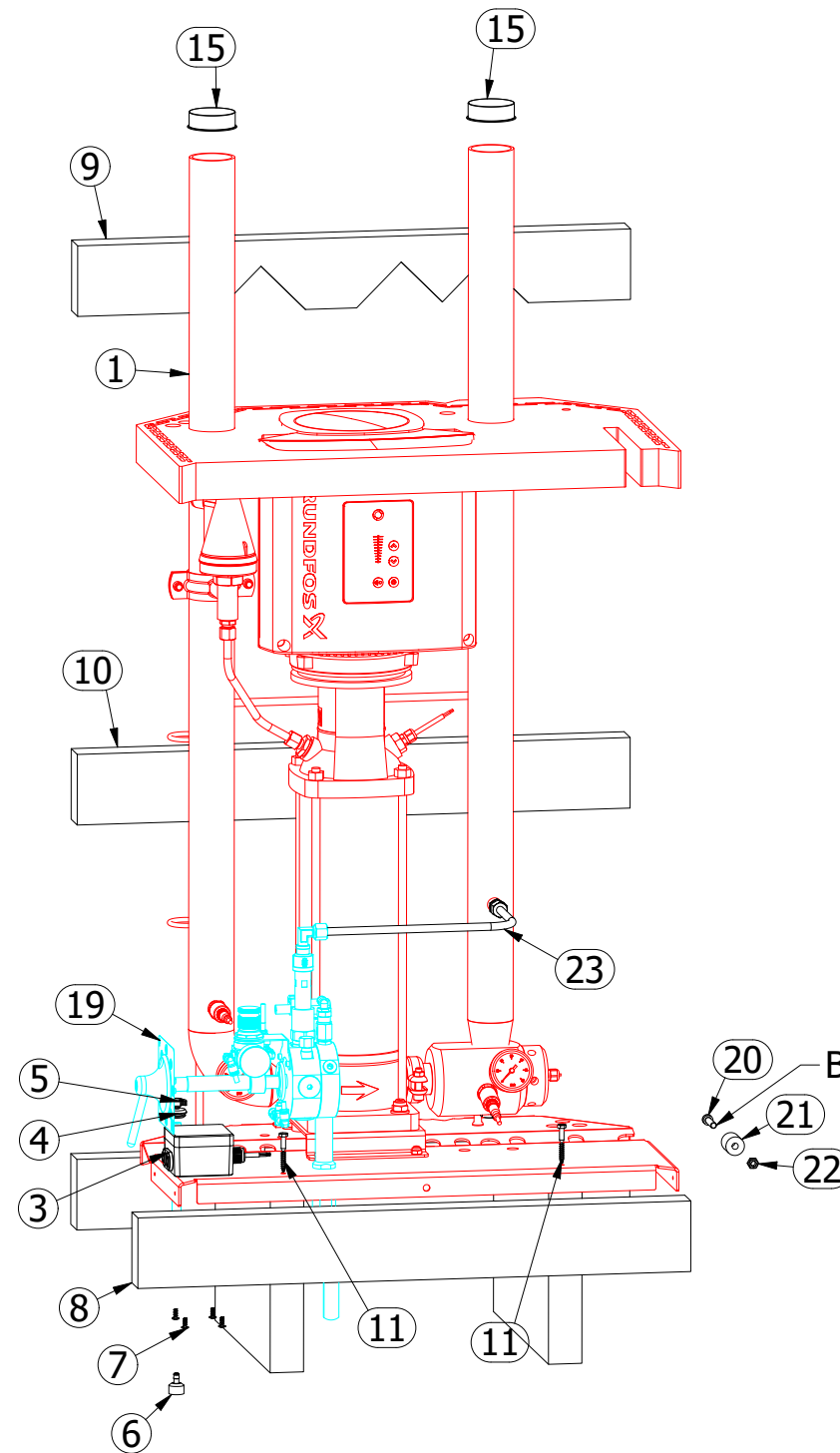
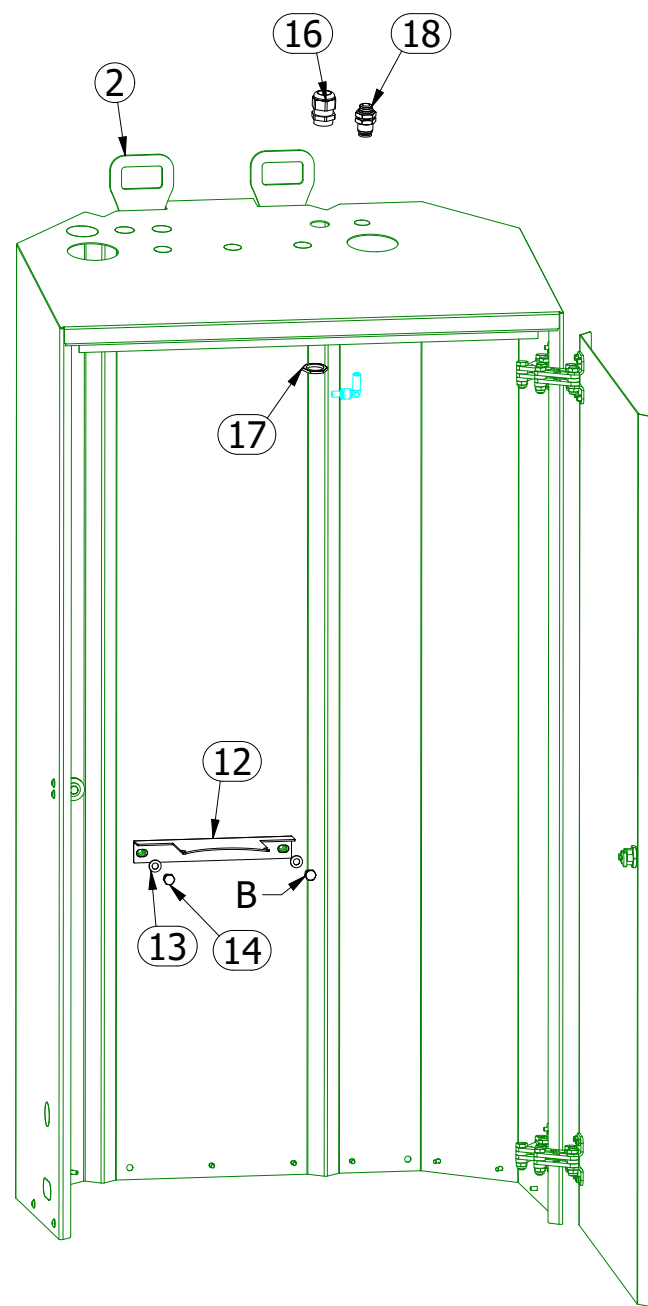
POS	QTY	PART NUMBER	REVI	TITLE
1	1	05-061870	A	Base MS5-20 Evo F, Phantom
2	1	43-100095	A	xxE Wall bracket
3	1	43-100105	A	Key and screw set Evo
4	1	69-400451	A	Label Evo on/off
5	1	69-330001	A	Safety label
6	1	57-000050	A	Nozzle holder for 4 System nozzles
7	1	53-015303	B	BR15/30 Rinse lance, 660mm
8	1	53-015301	A	MS 15/30 System rinse nozzle
9	1	53-502000	A	M50/200 System nozzle

ID	Description
A	Silicone grease, O-ring lubrication
B	Anti-seize, O-ring compatible
C	Thread lock/seal
D	PTFE tape

A	New drawing	17-07-2024	mpr
REV	DESCRIPTION	APP DATE	APP BY

Partnumber: **5405-7100**
Revision nr.: **A**
Title: **MS5-20 Evo F, BSP**





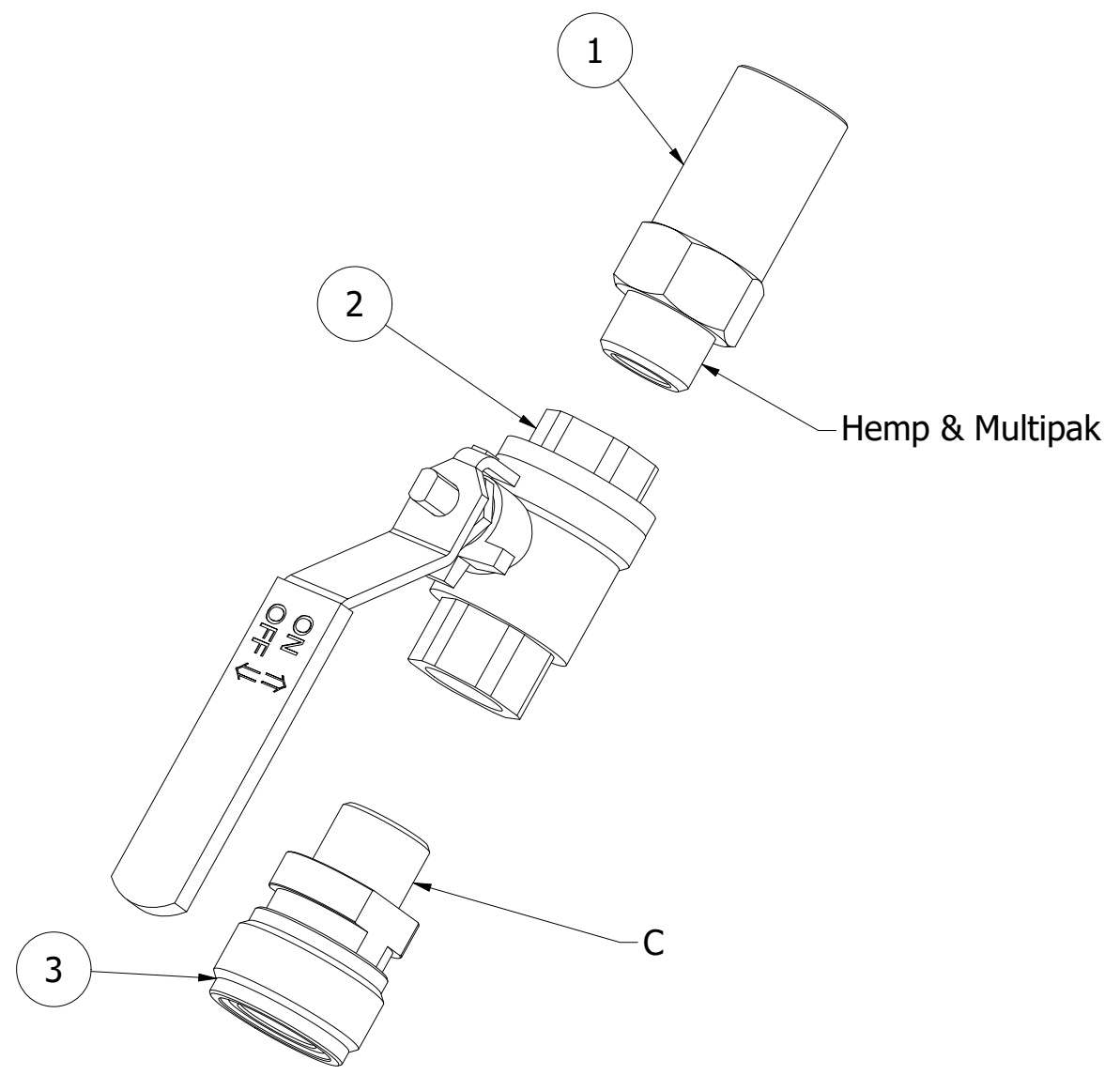
POS	QTY	PART NUMBER	REVI	TITLE
1	1	05-061810	A	Core model MS5-20 Evo, Fantom
2	1	05-070000	B	xxE 1300mm cabinet (PHANTOM)
3	1	36-800029	A	On/off button MS/PS Evo
4	1	04-000082	A	Grommet ø10-14,5, gray
5	1	15-300012	A	Hose clamp 1/4"
6	1	27-300040	A	Suction strainer ø6,5
7	4	08-104015	A	Screw for plastic 5x12
8	1	99-000013	B	xxE Pallet
9	1	99-000017	A	xxE Fixing board
10	1	99-000016	A	xxE Spacer board
11	2	08-100606	A	Screw m6x50, DIN571, A2
12	1	42-600107	C	xxE Pump bracket 5m³
13	2	08-300803	A	Plain washers ø8 DIN 125A, A2
14	2	08-200808	A	Bolt M8x16 ISO 4017, A2
15	2	04-000158	A	Plastic cap 2" (59,7mm)
16	1	35-712601	A	Cablecoupling piece M25x1,5
17	1	35-712502	A	Nut M25x1,5
18	1	15-000074	A	Bulkhead connector ø10mm BR
19	1	03-707000	C	AxE Man. Function F (PHANTOM)
20	1	08-800803	A	Bolt m8x40, ISO 4762, A2
21	1	04-000184	A	xxE Mounting spacer
22	1	08-000805	A	Locking nut m8
23	1	05-050650	A	MS5/10 Evo satellite water inlet PHANTOM

ID	Description
A	Silicone grease, O-ring lubrication
B	Anti-seize, O-ring compatible
C	Thread lock/seal
D	PTFE tape

A	New drawing	17-07-2024	mpr
REV	DESCRIPTION	APP DATE	APP BY

Partnumber: 05-061870
Revision nr.: A
Title: Base MS5-20 Evo F, Phantom





POS	QTY	PART NUMBER	REVI	TITLE
1	1	16-800070	C	Outlet nipple 1/2"x67mm
2	1	20-000220	A	Ball valve 1/2", blue
3	1	30-000050	A	Outlet coupling 1/2"

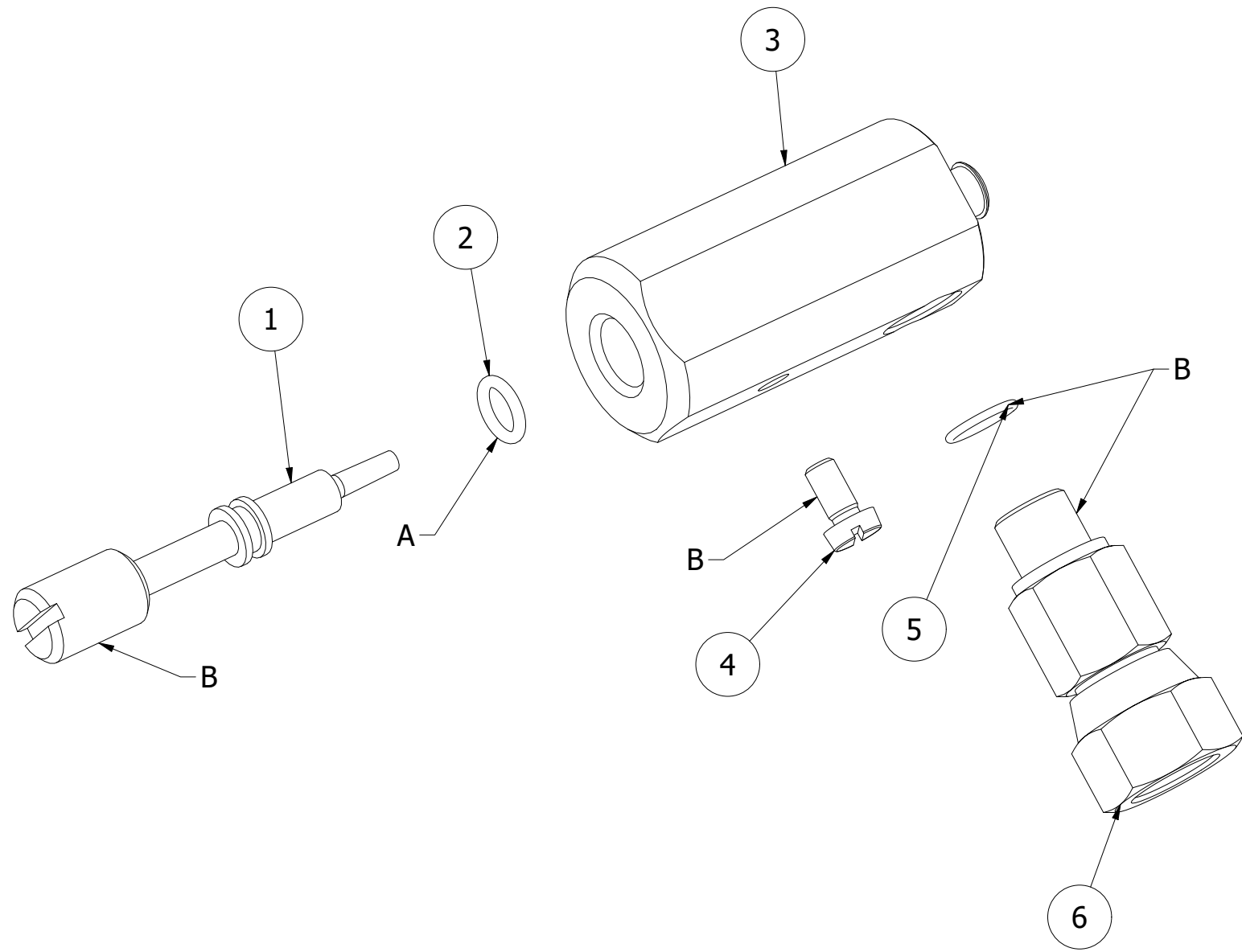
ID	Description
A	Silicone grease, O-ring lubrication
B	Anti-seize, O-ring compatible
C	Thread lock/seal
D	PTFE tape

B	Sealing materials added	05-12-2013	vbm
REV	DESCRIPTION	APP DATE	APP BY

Partnumber: 02-020021
 Revision nr.: B
 Title: Water outlet 1/2", Blue



POS	QTY	PART NUMBER	REVI	TITLE
1	1	20-400080-01	A	Dosingvalve needle
2	1	17-000122	A	O-ring 6x1,5 Viton, 75 sh
3	1	20-400080-02	E	Dosingvalve housing
4	1	08-100408	A	Bolt m4x8, DIN 84, A2
5	1	17-030030	A	O-ring 8x1 Viton, 75 sh
6	1	20-200111	A	Chemical Non return valve, Viton



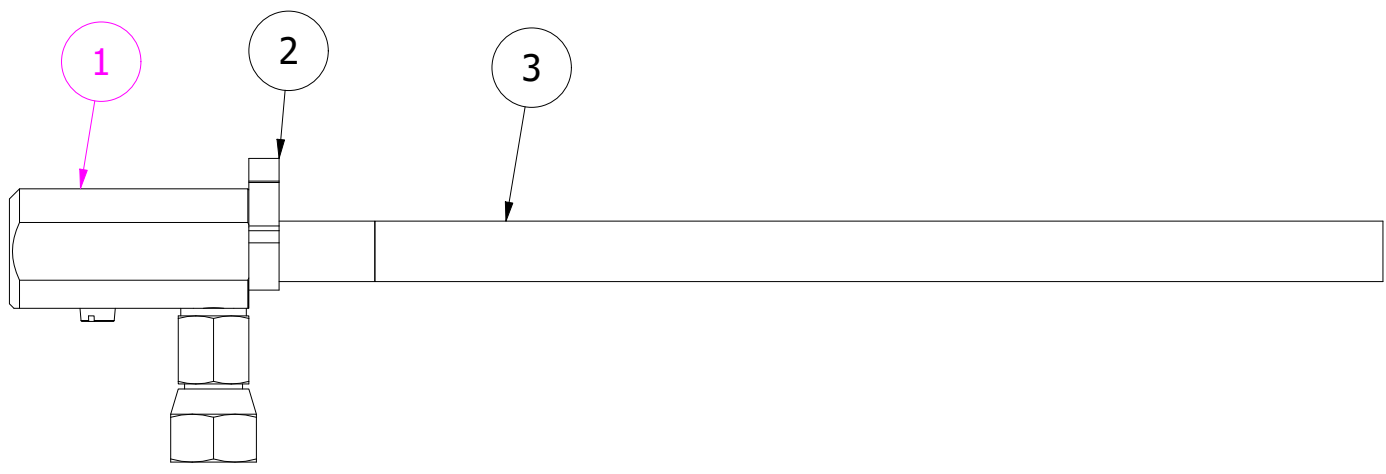
ID	Description
A	Silicone grease, O-ring lubrication
B	Anti-seize, O-ring compatible
C	Thread lock/seal
D	PTFE tape

A		02-06-2021	
REV	DESCRIPTION	APP DATE	APP BY

Partnumber: 20-400080
Revision nr.: A
Title: S3 Dosingvalve



POS	QTY	PART NUMBER	REVI	TITLE
1	1	20-400080	A	S3 Dosingvalve
2	1	15-300012	A	Hose clamp 1/4"
3	1	55-200023	A	Suction hose 6x12x1500, white

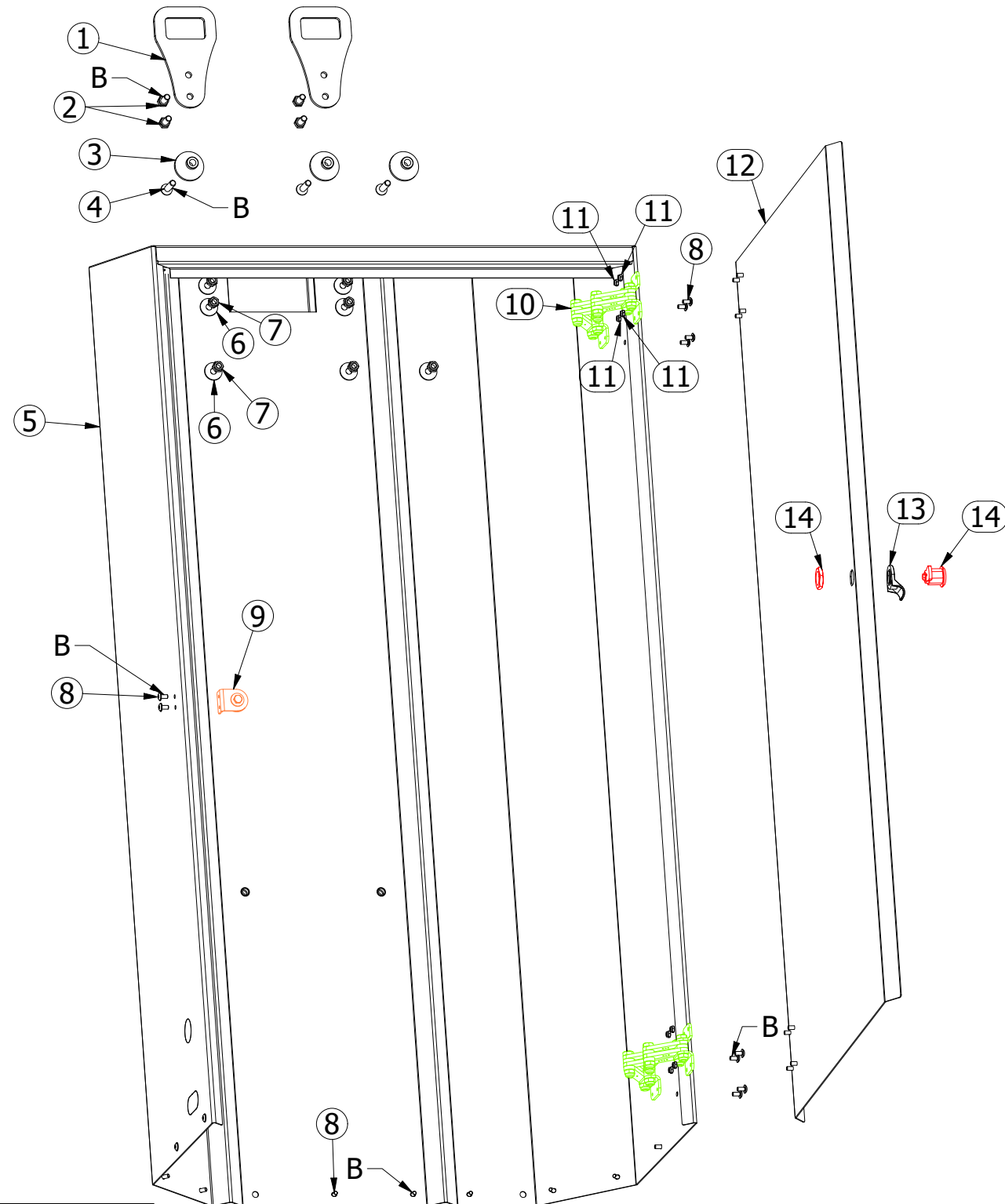


ID	Description
A	Silicone grease, O-ring lubrication
B	Anti-seize, O-ring compatible
C	Thread lock/seal
D	PTFE tape

REV	DESCRIPTION	APP DATE	APP BY
A		30-06-2021	

Partnumber: 05-050320
Revision nr.: A
Title: Dos. valve w/1500mm white hose





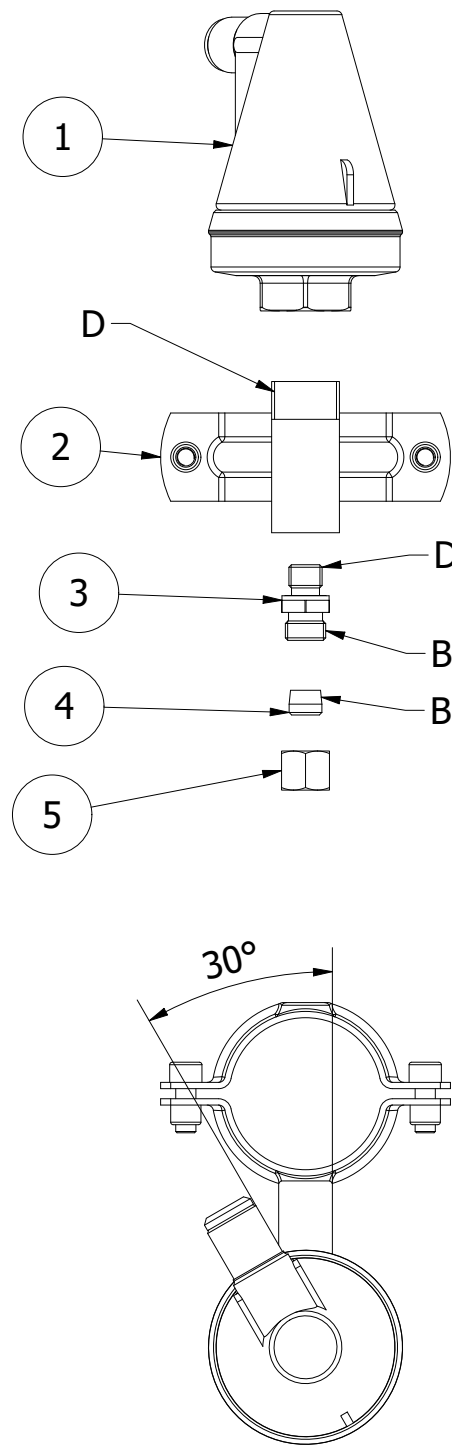
POS	QTY	PART NUMBER	REVI	TITLE
1	2	43-100111	A	xxE Lifting bracket
2	4	08-200805	A	Bolt M8x20 ISO 4017, A2
3	3	43-100072-02	B	Wallmounting knob
4	3	08-200811	A	Skrue M8x35, ISO10642, A2
5	1	46-500500	D	xxE Cabinet 1300mm
6	7	08-300802	A	Plain washer DIN 9021 ø8, A2
7	7	08-000805	A	Locking nut m8
8	21	08-100515	A	Bolt m5x10, ISO 7380-2, A2
9	1	72-000054	A	xxE Strike plate assembly
10	2	42-600106	B	xxE Hinge
11	8	08-000502	A	Møtrik låse M5 - A2 - DIN 985
12	1	46-500501	A	xxE Door 1300mm
13	1	72-000020	A	Arm for lock
14	1	72-000041	A	xxE Lock

ID	Description
A	Silicone grease, O-ring lubrication
B	Anti-seize, O-ring compatible
C	Thread lock/seal
D	PTFE tape

A	Tegn.nr. ændret fra UDV2023011-034	23-11-2023	jha
B	Stykliste ændret	12-06-2024	mpr
REV	DESCRIPTION	APP DATE	APP BY

Partnumber: **05-070000**
 Revision nr.: **B**
 Title: **xxE 1300mm cabinet (PHANTOM)**





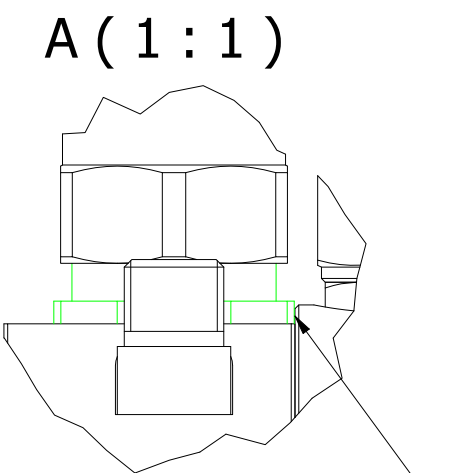
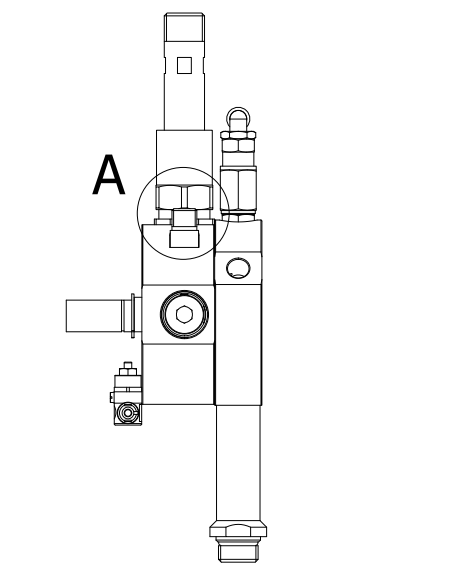
POS	QTY	PART NUMBER	REVI	TITLE
1	1	20-391426	A	Automatic airvent 3/4", Flexvent
2	1	14-300610	B	xxE Air vent bracket
3	1	26-100005	A	Compression fittings Screw-in 1/4"x10mm BSP
4	1	26-100006	A	Cutting ring ø10 for 26-100005
5	1	26-100007	A	Compression fittings Union nut ø10mm

ID	Description
A	Silicone grease, O-ring lubrication
B	Anti-seize, O-ring compatible
C	Thread lock/seal
D	PTFE tape

A		08-06-2023	
REV	DESCRIPTION	APP DATE	APP BY

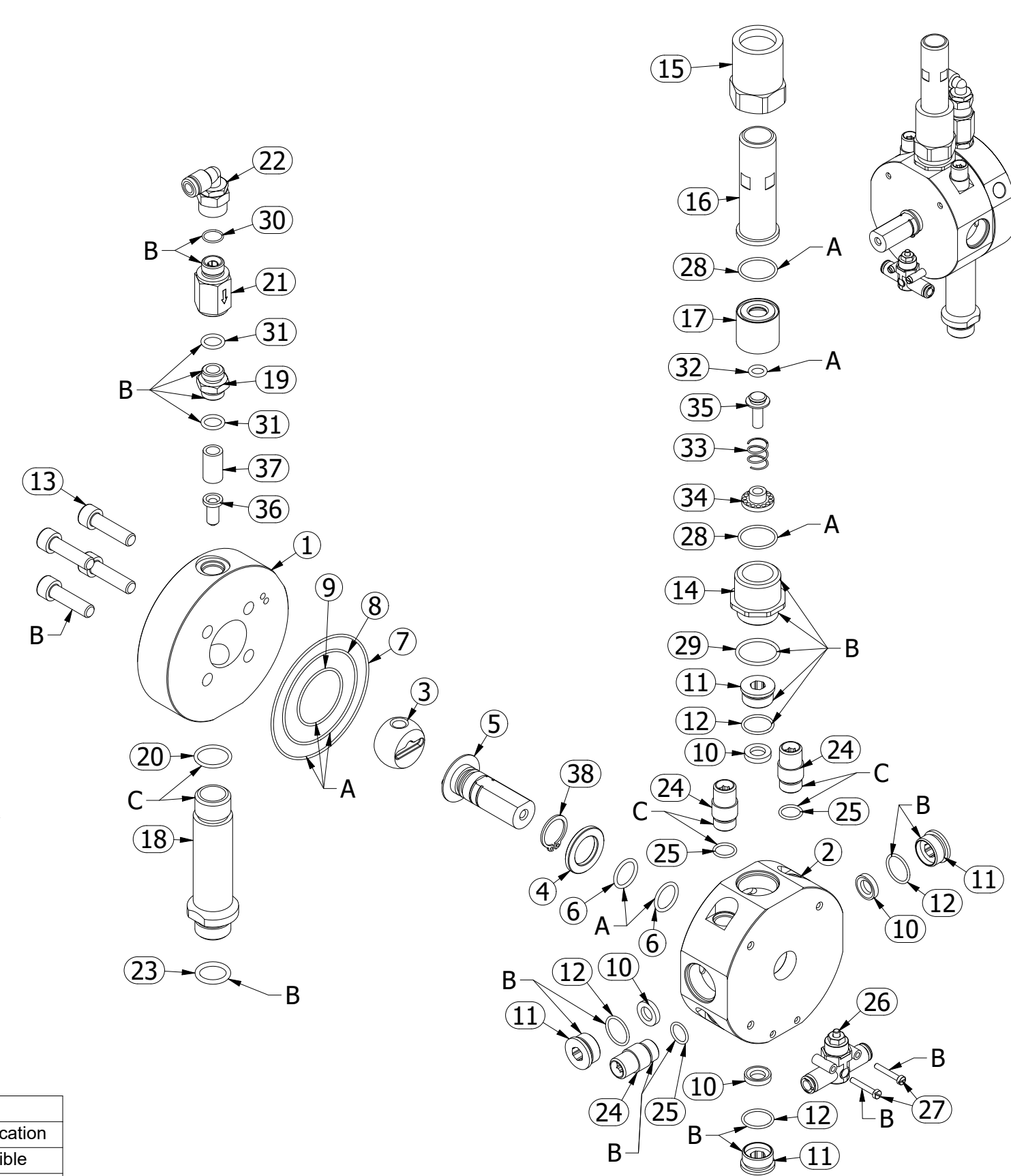
Partnumber: 20-391500
Revision nr.: A
Title: xxE Pump vent assembly





Flat sides should be aligned parallel

NOTE!!! Pos. 14 must be installed and aligned before assembly of pos. 1 and 2 is possible



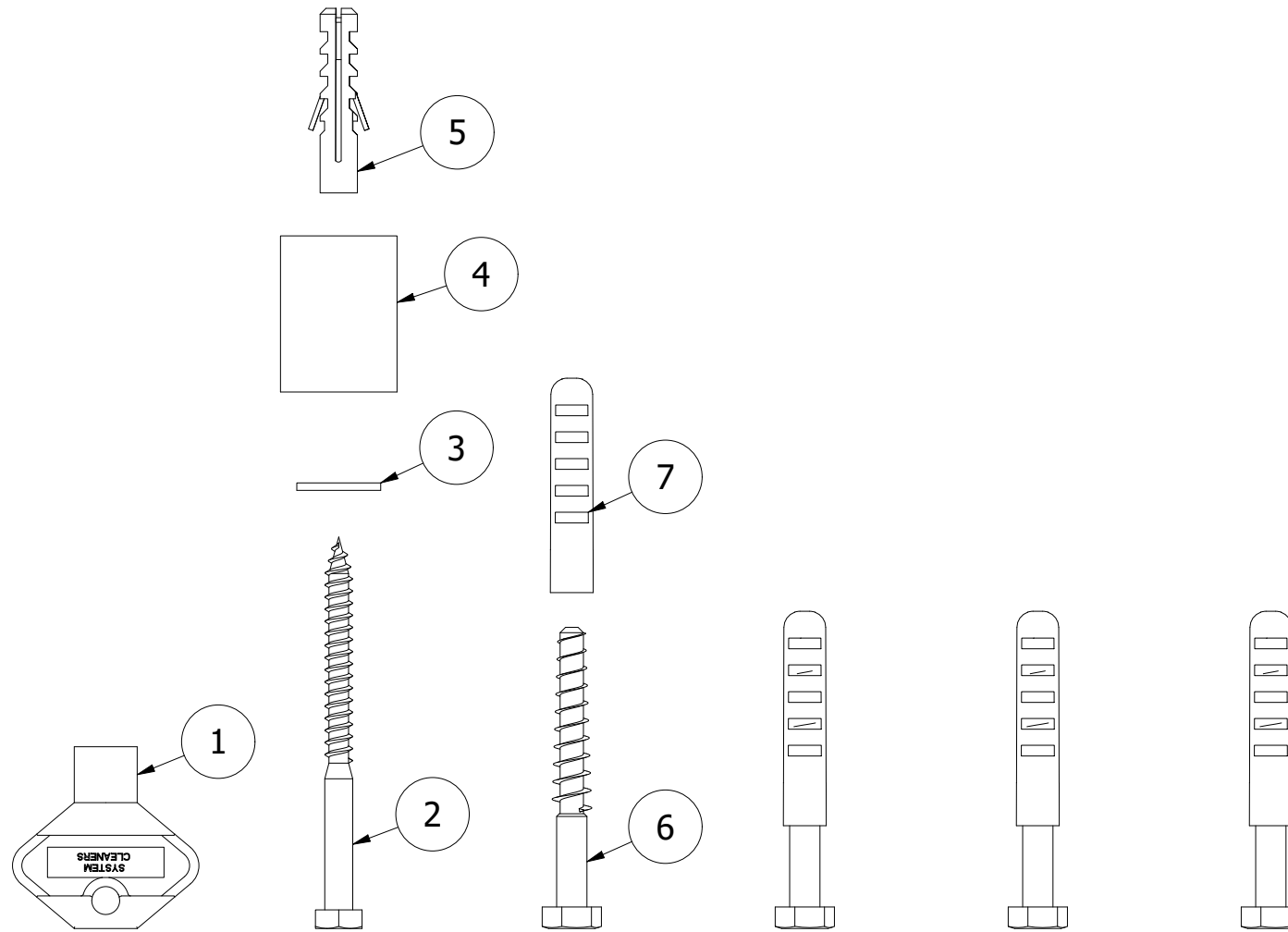
POS	QTY	PART NUMBER	REVI	TITLE
1	1	20-001107-05	C	S4E Valve backplate
2	1	20-001107-03	D	S4E Valve body
3	1	20-001107-02	C	S4E Ball
4	1	20-001107-11	A	S4E Bushing
5	1	20-001107-04	C	Stem S4E
6	2	17-030136	A	O-ring15x2 Viton 75 shore
7	1	17-030211	A	O-ring77x1,5 Viton 75 shore
8	1	17-030212	A	O-ring58x1,5 Viton 75 shore
9	1	17-030213	A	O-ring 34x1,5, Viton
10	4	20-001107-12	B	Ball seal S4E
11	4	20-001107-08	A	S4E Ball seal holder
12	4	17-030214	A	O-ring16x1,5 Viton 75 shore
13	4	08-100007	A	Insex screw M8x30mm RFA2 DIN 912
14	1	20-001107-06	C	S4E non-return valve outlet
15	1	20-001105-01	E	S3 non-return valve nut
16	1	20-001105-02	B	S3 non-return valve inlet
17	1	20-001105-03	A	S3 non-return valve housing
18	1	20-001107-09	B	S4E Outlet pipe
19	1	15-100081	B	Hexagon nipple 1/4"x1/4" BSPP
20	1	17-030006	A	O-ring 18x2, Viton, 70 sh
21	1	20-200025	A	Non-return valve air 1/4"
22	1	15-010080	B	Air fitting elbow 1/4"x6
23	1	17-000083	A	O-ring15,54x2,62 NBR 70 shore
24	3	20-001107-07	A	S4E Konc. adaptor
25	3	17-030018	A	O-ring 11x1,5 Viton, 75 sh
26	1	20-300034	A	Air valve inline Ø6, 3/2 NC
27	2	08-100008	A	Machine screw M3x20mm A2 DIN 84
28	2	17-030185	A	O-ring 20x1,5 Viton 75 shore
29	1	17-030190	A	O-ring 22x2 Viton 75 shore
30	1	17-010013	A	O-ring 10,5x1 70 sh
31	2	17-030055	A	O-ring10x2 Viton 75 shore
32	1	17-030032	A	O-ring 7x2 Viton, 70 sh
33	1	20-001105-05	A	Sodemann C04800350620S
34	1	20-001105-06	A	S3 non-return valve lid
35	1	20-001105-04	A	S3 non-return valve piston
36	1	20-001107-10	B	S4E Air nozzle ø2
37	1	20-001107-13	A	S4E Air spacer
38	1	16-600061	A	Locking ring ø18x1,2 DIN 471

A	Ny tegning	16-01-2024	mpr
B	Extra locking groove on 20-001107-04	13-08-2025	JJA
REV	DESCRIPTION	APP DATE	APP BY

Partnumber: 20-001107
 Revision nr.: B
 Title: S4E main valve



ID	Description
A	Silicone grease, O-ring lubrication
B	Anti-seize, O-ring compatible
C	Thread lock/seal
D	PTFE tape



POS	QTY	PART NUMBER	REVI	TITLE
1	1	72-100010	A	Key for housing
2	1	08-100610	A	Screw m6x80, DIN571, A2
3	1	08-300602	A	Plain washer DIN 9021 ø6, A2
4	1	04-000184	A	xxE Mounting spacer
5	1	08-900008	A	Rawlplug S 8
6	4	08-100801	A	Coach screw M8x60
7	4	08-900010	A	Rawlplugs S 10

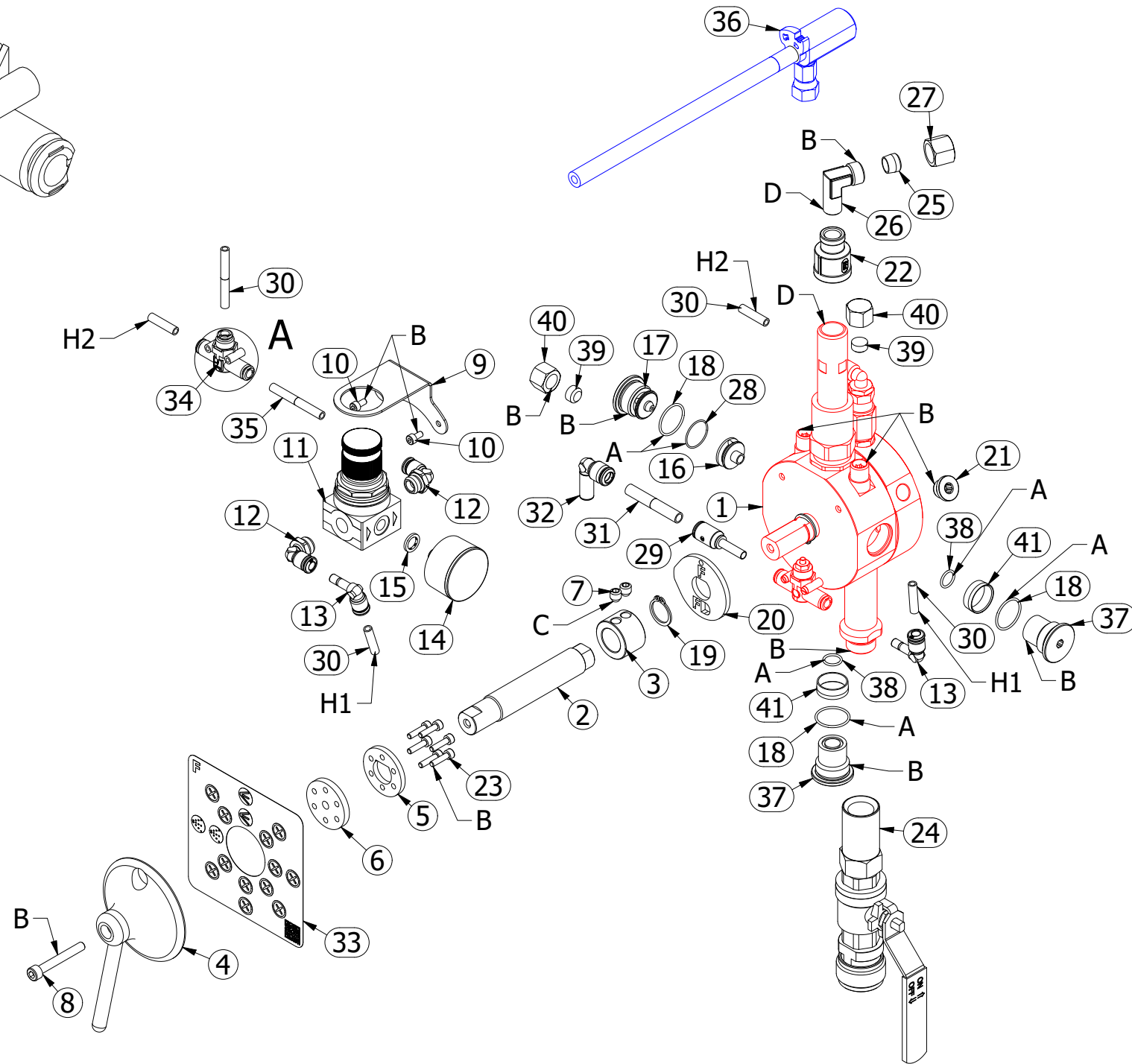
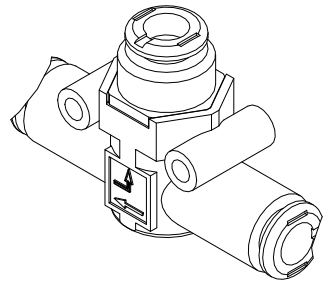
ID	Description
A	Silicone grease, O-ring lubrication
B	Anti-seize, O-ring compatible
C	Thread lock/seal
D	PTFE tape

A		21-03-2024	
REV	DESCRIPTION	APP DATE	APP BY

Partnumber: 43-100105
Revision nr.: A
Title: Key and screw set Evo



A (1:1)



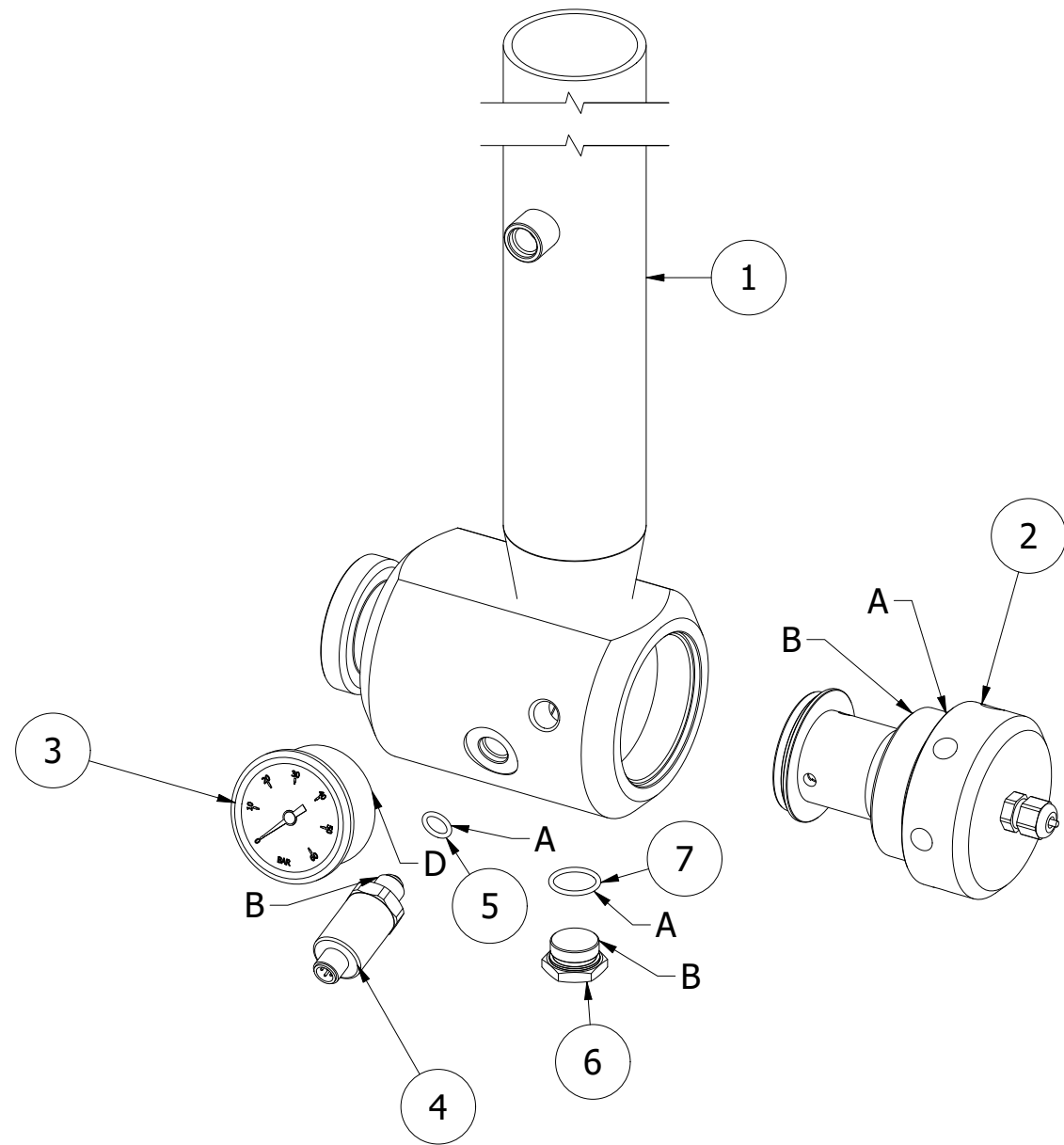
POS	QTY	PART NUMBER	REVI	TITLE
1	1	20-001107	B	S4E main valve
2	1	20-001108	C	S4E AME shaft extension
3	1	20-001111	A	S4E shaft coupling
4	1	48-400305	A	S3 Handle
5	1	20-001110	A	S4E Handle mountingplate
6	1	04-000227	A	S4E Handle spacer
7	2	08-800801	A	Grub screw M8x8
8	1	08-100021	A	Bolt m6x45, ISO 4762, A2
9	1	42-200062	A	Air regulator bracket manual function
10	2	08-100405	A	Insex screw M4x8mm A2 DIN 912
11	1	20-300080	A	Regulator air without filter
12	2	15-010010	A	Airfitting 1/4"x6, elbow
13	2	15-010120	A	Air fitting elbow adapter ø6xø6mm
14	1	22-000071	B	Gauge ø40 0-12 bar
15	1	17-000072	A	Gasket 1/8"
16	1	27-044511	A	S4E Injector
17	1	48-400350	C	S4E Water nozzle ø1,9
18	3	17-020006	A	O-ring 22x1,5 EPDM, 70sh
19	1	16-600061	A	Locking ring ø18x1,2 DIN 471
20	1	20-301650	B	S4E Program cam F / F D
21	1	16-501406	A	Plug with o-ring 1/4" BSPP AISI 316/Viton
22	1	15-411214	A	Reducing socket 1/2"x1/4" BSP/BSP
23	6	08-100020	A	Insex screw M4x16mm A4 DIN 912
24	1	02-020021	B	Water outlet 1/2", Blue
25	1	26-100006	A	Cutting ring ø10 for 26-100005
26	1	26-100004	A	Compression fittings 90° elbow 1/4"x10mm BSPT
27	1	26-100007	A	Compression fittings Union nut ø10mm
28	1	17-030022	A	O-ring20x1 Viton 75 shore
29	1	15-000075	A	Pneumatic reduction 8x6
30	3	55-110040	A	Air hose ø6mm, black
31	1	55-100040	A	Air hose ø8mm, black
32	1	15-000063	A	Air fitting elbow adapter ø8xø10mm
33	1	69-300200	A	Label S4E F
34	1	15-010160	A	Non return valve with indicator 6mm
35	1	55-110036	A	Air hose 6x40mm black
36	1	05-050320	A	Dos. valve w/1500mm white hose
37	2	16-500011	C	S4E plug M24x1,5
38	2	17-020056	A	O-ring 11x1,5 EPDM 70 sh
39	2	04-000232	A	Cone ø12 black
40	2	15-901400	A	End cap 1/4"
41	2	17-000011	A	Seal ø22,5/ø20,1x8 PTFE

A	Ny tegning	28-05-2024	mpr
B	Stykliste ændret	04-07-2024	mpr
C	Pos. 21 ændret fra 16-501804. Pos 7 limes	13-09-2024	mpr
REV	DESCRIPTION	APP DATE	APP BY

ID	Description
A	Silicone grease, O-ring lubrication
B	Anti-seize, O-ring compatible
C	Thread lock/seal
D	PTFE tape

Partnumber: **03-707000**
Revision nr.: **C**
Title: **AxE Man. Function F (PHANTOM)**





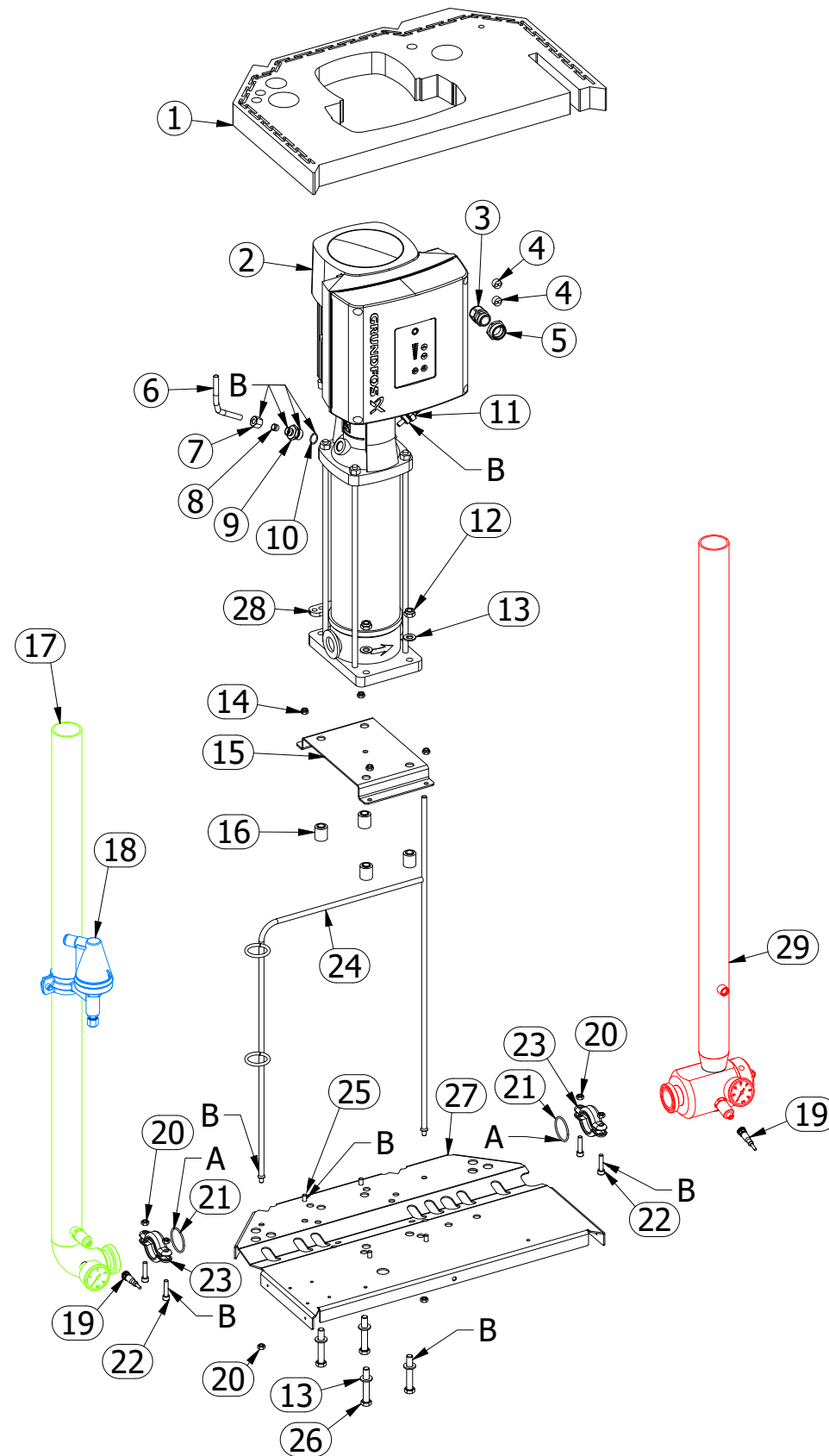
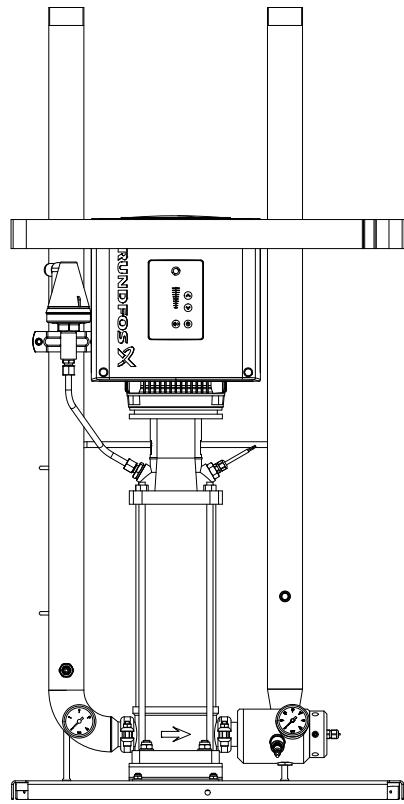
POS	QTY	PART NUMBER	REVI	TITLE
1	1	25-250200	B	xS5 Evo Outlet pipe
2	1	30-732702	A	xxE Flow/Non-return valve
3	1	22-000042	A	Gauge ø50 0-60 bar SS
4	1	36-100090	A	Pressure transmitter 60 bar 1/4"
5	1	17-020055	A	O-ring 10x2 EPDM, 70sh
6	1	16-501203	A	Prop 1/2" SS 8 mm
7	1	17-030006	A	O-ring 18x2, Viton, 70 sh

ID	Description
A	Silicone grease, O-ring lubrication
B	Anti-seize, O-ring compatible
C	Thread lock/seal
D	PTFE tape

A	Ny tegning	12-08-2024	mpr
REV	DESCRIPTION	APP DATE	APP BY

Partnumber: **02-120252**
Revision nr.: **A**
Title: **MS5 Evo Outlet**





POS	QTY	PART NUMBER	REVI	TITLE
1	1	41-800142	B	Dividing plate xxE, 6 kW
2	1	06-000516	A	xxE150 Pump
3	1	35-712501	A	Cable gland M25x1.5
4	2	35-712497	A	Multiseal m20x1,5 2x6mm
5	1	35-700205	A	Reduction m32x25, PA
6	1	26-100175	A	xxE Vent pipe 5m³ pump
7	1	26-100007	A	Compression fittings Union nut ø10mm
8	1	26-100006	A	Cutting ring ø10 for 26-100005
9	1	26-100052	A	Compression fittings Screw-in 1/2"x10mm BSPP
10	1	17-030006	A	O-ring 18x2, Viton, 70 sh
11	1	32-000110	A	PT100 Unit
12	2	08-001201	A	Self lock nut M12, DIN 985, A2
13	6	08-301201	A	Washer ø12, ISO 7089, A2
14	4	08-000805	A	Locking nut m8
15	1	42-300360-01	B	xxE 150 Pump bracket
16	4	04-000186	A	xxE Spacer til 5m³ pump
17	1	02-110100	A	xxE150 Inlet
18	1	20-391500	A	xxE Pump vent assembly
19	2	21-000102	A	Straight connector M12x3m
20	6	08-000801	A	Nut M8 DIN934, A2
21	2	17-010010	A	O-ring 46x3 NBR, 70sh
22	4	08-800835	A	Bolt m8x35, ISO 4762
23	2	30-740483	A	Flexi clamps ø48,3 SS
24	1	42-600190	A	AME cable guide
25	4	08-200808	A	Bolt M8x16 ISO 4017, A2
26	4	08-201215	A	Bolt M12x75mm DIN 931 A2
27	1	46-500504	C	xxE Bottom plate
28	1	42-600109	A	Attachment bracket pump xxE
29	1	02-120252	A	MS5 Evo Outlet

ID	Description
A	Silicone grease, O-ring lubrication
B	Anti-seize, O-ring compatible
C	Thread lock/seal
D	PTFE tape

REV	DESCRIPTION	APP DATE	APP BY
A	New drawing	12-06-2024	mpr

Partnumber: **05-061810**
Revision nr.: **A**
Title: **Core model MS5-20 Evo, Phantom**

