

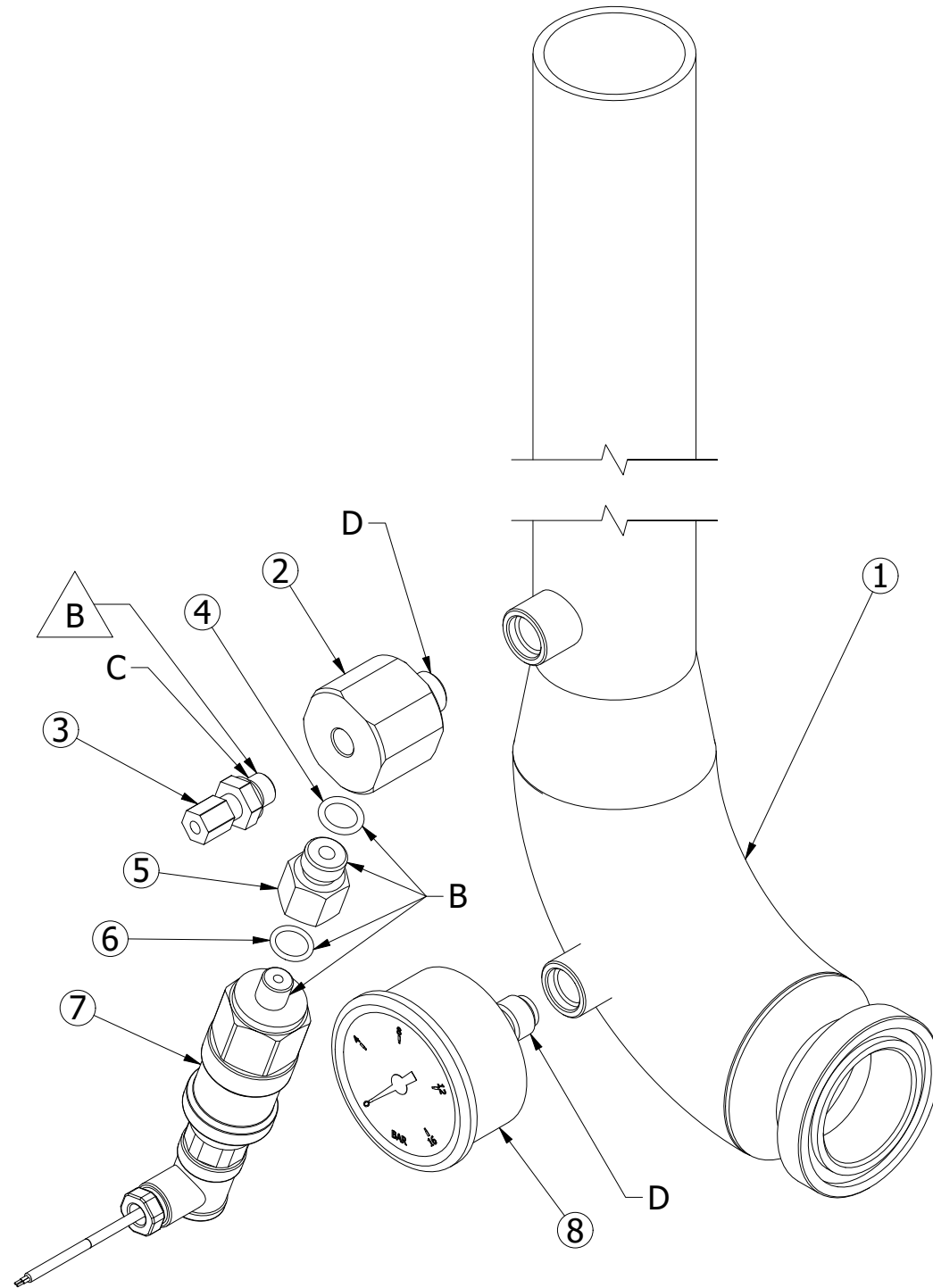
ID	Description
A	Silicone grease, O-ring lubrication
B	Anti-seize, O-ring compatible
C	Thread lock/seal
D	PTFE tape

POS	QTY	PART NUMBER	REVI	TITLE
1	1	06-000601	A	Pump CRNE 3-9 4kW, 3x380-500V/50-60Hz
2	4	08-001201	A	Self lock nut M12, DIN 985, A2
3	2	17-020080	A	O-ring 18x2 EPDM, 70 Sh
4	1	26-100100	A	Compression fitting 1/2"x4 SS
5	1	32-000090	A	Temperature switch 88°
6	1	02-110096	B	Inlet pipe 1.1/2" BSP - BS1-20/BS3-20/BS5-20 - Complete
7	1	02-120092	A	Outlet pipe 1.1/2" BSP - BS1-20/BS3-20/BS5-20 - Complete
8	4	08-301201	A	Washer ø12, ISO 7089, A2
9	2	17-010010	A	O-ring 46x3 NBR, 70sh
10	2	46-300160	A	Spacer plate Voyager
11	4	08-201211	A	Bolt m12x45, DIN933, A2
12	2	14-400608	A	Pipe clamp for BS3-20/BS5-20
13	2	08-200808	A	Bolt M8x16 ISO 4017, A2
14	2	08-300803	A	Plain washers ø8 DIN 125A, A2
15	1	46-200100	F	Pump foundation RBS 25-5/25-10, BS
16	4	08-001602	A	Locknut M16 - A2 - DIN 985
17	4	08-001601	A	Nut M16,A2,DIN934
18	4	45-400030-01	A	Machine shoe ø80xM16 H=100mm
19	1	26-100113	A	Udluftningsrør til BS1-20/BS3-20
20	4	08-000801	A	Nut M8 DIN934, A2
21	2	30-740483	A	Flexi clamps ø48,3 SS
22	4	08-800803	A	Bolt m8x40, ISO 4762, A2
23	2	42-300110-02	A	Securing bracket
24	1	42-300261	B	Bracket for electric control 3/5 m³ BS 3/5
25	1	36-800029	A	On/off button MS/PS Evo
26	4	08-200602	A	Bolt m6x20, ISO 4017, A2
27	4	08-104015	A	Screw for plastic 5x12
28	1	69-400450	A	Label BS on/off
29	1	69-330001	A	Safety label
30	1	35-411001	A	Cable 4x1,5mm² CE UL CSA AWG 16 3m

A	New drawing	28-04-2025	JJA
B	New pump and cable	26-01-2026	JJA
REV	DESCRIPTION	APP DATE	APP BY

Partnumber: **5100-003020**
Revision nr.: **B**
Title: **BS3-20 (3x380-500V/50-60Hz BSP)**





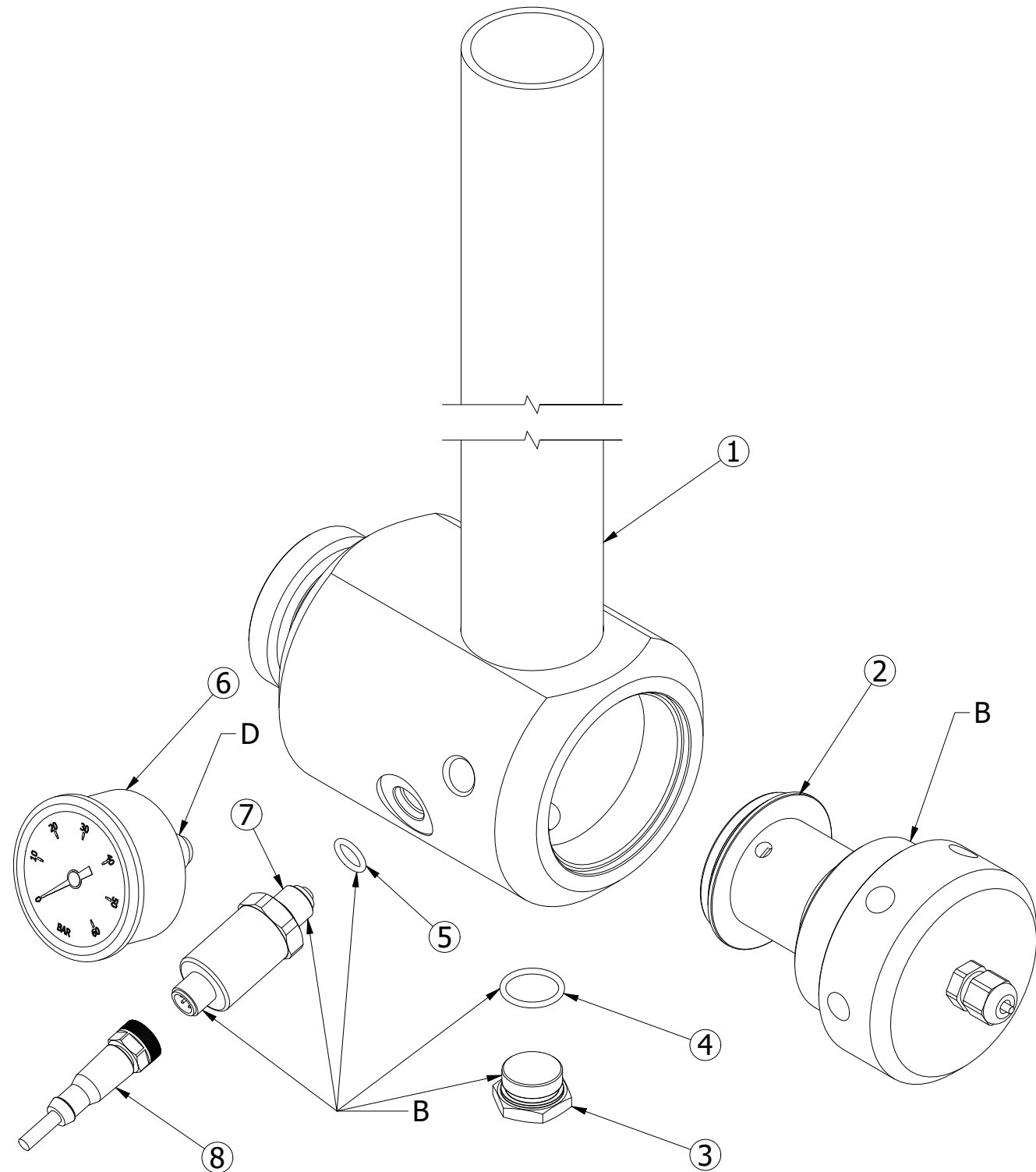
POS	QTY	PART NUMBER	REVI	TITLE
1	1	30-732443	A	Inlet pipe 1.1/2 BSP - BS1-20/BS3-20/BS5-20
2	1	25-500010	A	Manifold 90° ventpipe 1/4"x1/8"x1/8" E/I/I BSP
3	1	26-100019	A	Clamping ring fitting 1/8"x4
4	1	17-020055	A	O-ring 10x2 EPDM, 70sh
5	1	15-200082	B	Socket 1/4"x1/8"
6	1	17-000032	A	O-ring 10,1x1,6 NBR, 70 sh
7	1	35-600064	A	Pressureswitch 1/8" NO, Setpoint 0,8 bar
8	1	22-000044	A	Gauge ø50 0-16 bar SS

ID	Description
A	Silicone grease, O-ring lubrication
B	Anti-seize, O-ring compatible
C	Thread lock/seal
D	PTFE tape

A	New drawing	28-04-2025	JJA
B	26-100019 now has thread lock instead of anti-seize	02-09-2025	JJA
REV	DESCRIPTION	APP DATE	APP BY

Partnumber: **02-110096**
Revision nr.: **B**
Title: **Inlet pipe 1.1/2" BSP - BS1-20/BS3-20/BS5-20 - Complete**





POS	QTY	PART NUMBER	REVI	TITLE
1	1	30-732445	A	Outlet pipe 1.1/2" BSP - BS1-20/BS3-20/BS5-20
2	1	30-732702	A	xxE Flow/Non-return valve
3	1	16-501203	A	Prop 1/2" SS 8 mm
4	1	17-030006	A	O-ring 18x2, Viton, 70 sh
5	1	17-020055	A	O-ring 10x2 EPDM, 70sh
6	1	22-000042	A	Gauge ø50 0-60 bar SS
7	1	36-100090	A	Pressure transmitter 60 bar 1/4"
8	1	21-000102	A	Straight connector M12x3m

ID	Description
A	Silicone grease, O-ring lubrication
B	Anti-seize, O-ring compatible
C	Thread lock/seal
D	PTFE tape

REV	DESCRIPTION	APP DATE	APP BY
A		28-04-2025	

Partnumber: **02-120092**
Revision nr.: **A**
Title: **Outlet pipe 1.1/2" BSP - BS1-20/BS3-20/BS5-20 - Complete**

