

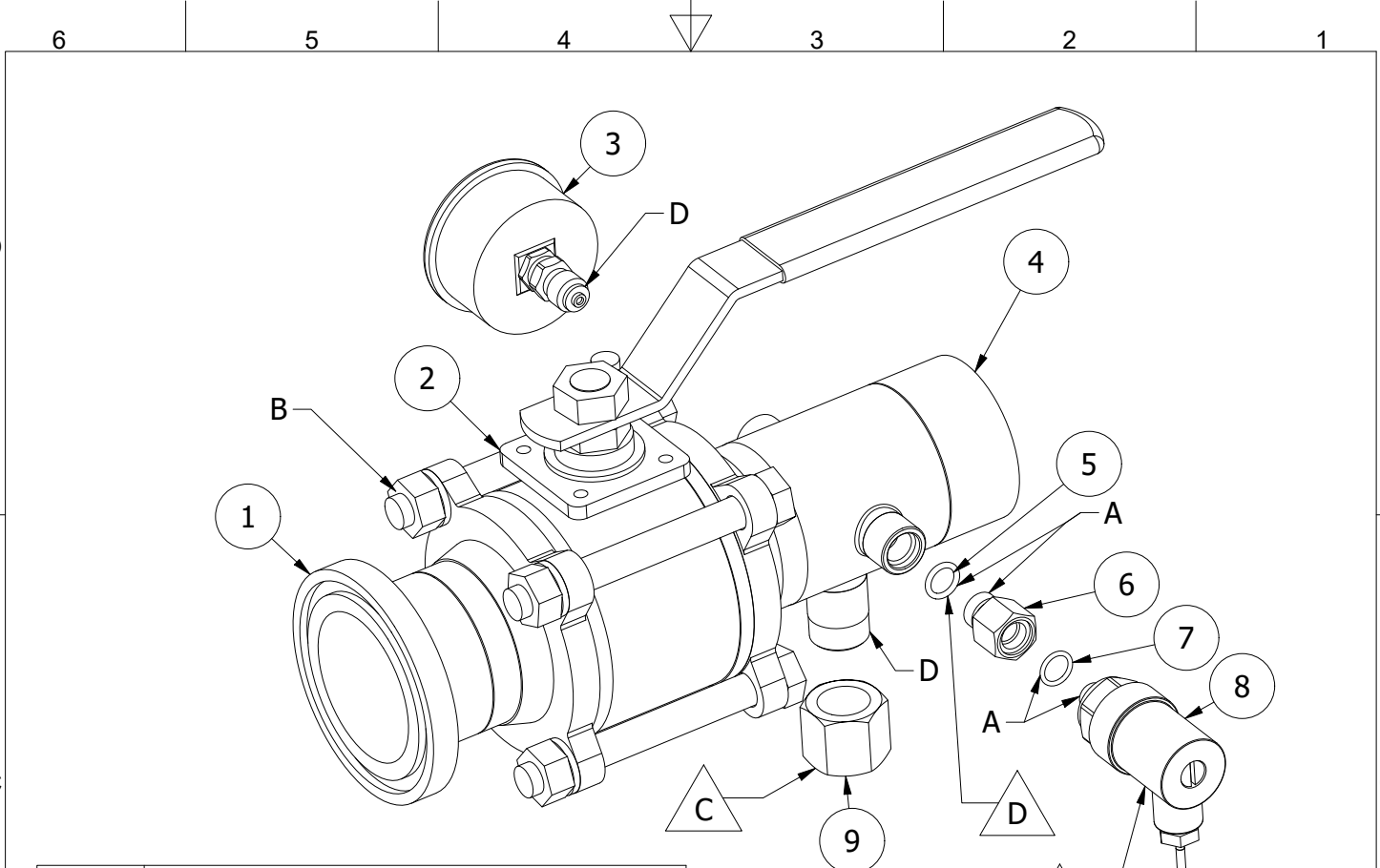
ID	Description
A	Silicone grease, O-ring lubrication
B	Anti-seize, O-ring compatible
C	Thread lock/seal
D	PTFE tape

POS	QTY	PART NUMBER	REVI	TITLE
1	1	46-200250	E	Pump foundation BS10-20 & BS20-20
2	1	06-001710	A	Pump CRNE 10-12 11KW clamps
3	4	08-201211	A	Bolt m12x45, DIN933, A2
4	4	08-001201	A	Self lock nut M12, DIN 985, A2
5	4	08-001602	A	Locknut M16 - A2 - DIN 985
6	4	08-001601	A	Nut M16,A2,DIN934
7	4	45-400030-01	A	Machine shoe ø80xM16 H=100mm
8	1	03-900065	E	BS10-20 Inlet
9	2	17-010011	A	O-ring 70x4, NBR, 70sh
10	1	03-900045	E	Outlet manifold BS10-20
11	2	30-740761	A	Flexi clamps ø76,1 SS
12	4	08-001001	A	Nut m10, DIN 934, A2
13	4	08-801003	A	Bolt m10x45, DIN4762,A2
14	1	32-000110	A	PT100 Unit
15	1	35-712497	A	Multiseal m20x1,5 2x6mm
16	1	35-712601	A	Cablecoupling piece M25x1,5
17	1	35-700205	A	Reduction m32x25, PA
18	4	08-301202	A	Plain washer ø12, ISO7093, A2

C	Opbygning ændret	29-03-2019	jha
D	Skive tilføjet	12-07-2022	mpr
E	Pos. 15 skiftet fra 35-712495	07-05-2024	mpr
REV	DESCRIPTION	APP DATE	APP BY

Partnumber: **5100-0120**  
Revision nr.: **E**  
Title: **BS10-20 (3x380-500V/50-60Hz)**



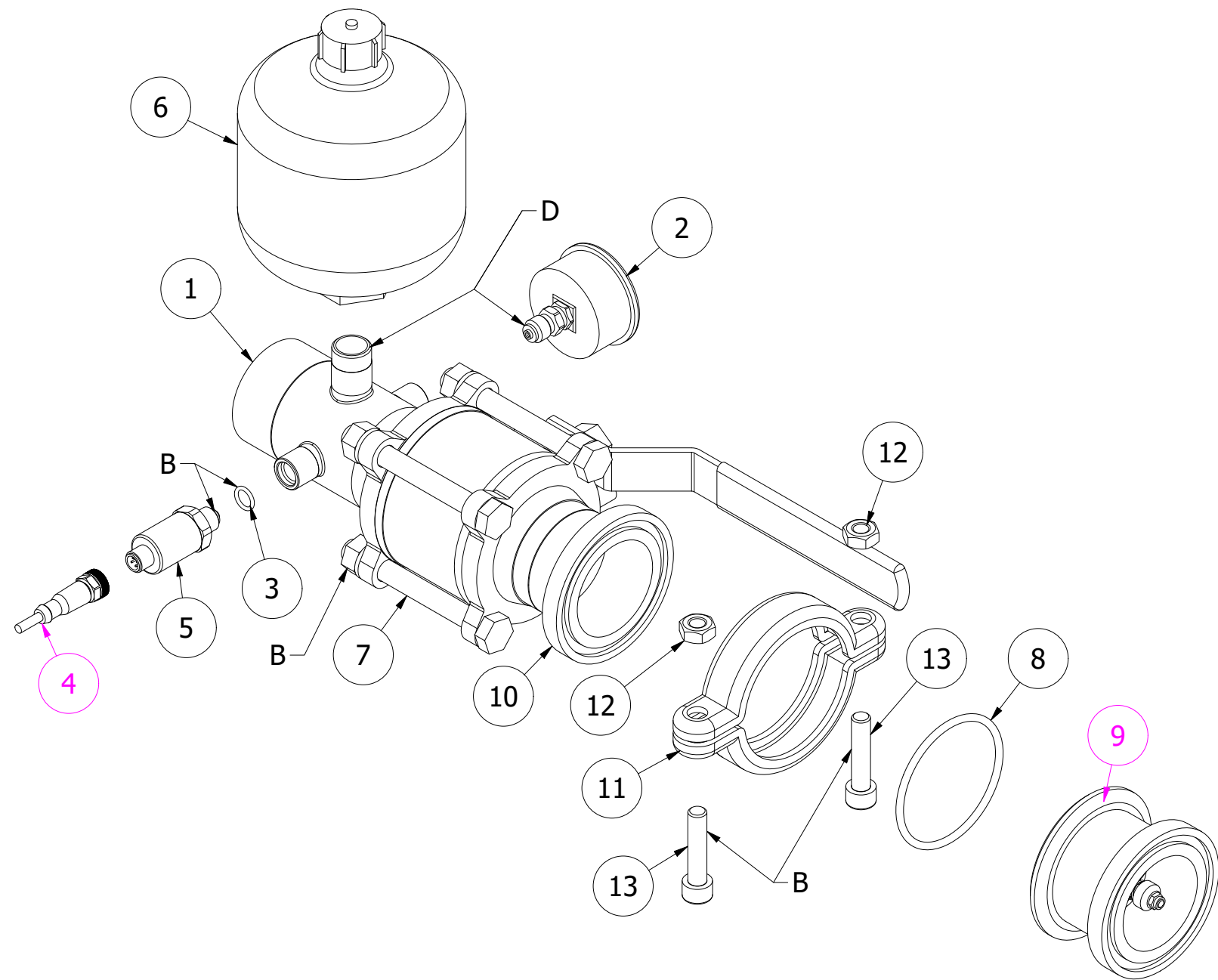


ID	Description
A	Silicone grease, O-ring lubrication
B	Anti-Seize, O-ring kompatibel
C	Thread lock/seal
D	PTFE tape

REVISION HISTORY			
REV	DESCRIPTION	DATE	APPROVED
C	Komponent udskiftet	20-12-2018	jha
D	O-ring tilføjet	04-03-2019	jha
E	Komponent udskiftet	28-03-2019	jha

Parts List			
ITEM	QTY	PART NUMBER	TITLE
1	1	30-532010	Pump connector with 2" Flange
2	1	20-000092	Ball valve 2" SS (Red) 2-way without flange
3	1	22-000044	Gauge ø50 0-16 bar SS
4	1	25-310175	Manifold BS10-20
5	1	17-020055	O-ring 10x2 EPDM, 70sh
6	1	15-200082	Socket 1/4"x1/8"
7	1	17-000032	O-ring 10,1x1,6 NBR, 70 sh
8	1	35-600065	Pressure switch 1/8" SS 0,1-2bar NO (3m)
9	1	15-901200	Closing cap 1/2" SS

		Matr.:	Dim.:
		Init: jha	Date: 28-03-2019
		Scale:	Surface:
System Cleaners A/S Halkjærvej 17 DK-9200 Aalborg SV Phone: +45 96 34 04 04		BS10-20 Inlet	
		<b>03-900065</b>	
		<b>E</b>	



POS	QTY	PART NUMBER	REVI	TITLE
1	1	25-310175	D	Manifold BS10-20
2	1	22-000042	A	Gauge ø50 0-60 bar SS
3	1	17-020055	A	O-ring 10x2 EPDM, 70sh
4	1	21-000102	A	Straight connector M12x3m
5	1	36-100090	A	Pressure transmitter 60 bar 1/4"
6	1	28-000020	A	Diaphragm accumulator 0,7 L, 4 bar
7	1	20-000092	A	Ball valve 2" SS (Red) 2-way without flange
8	1	17-010011	A	O-ring 70x4, NBR, 70sh
9	1	20-200300	C	Non-return valve 1.1/2"
10	1	30-532010	A	Pump connector with 2" Flange
11	1	30-740761	A	Flexi clamps ø76,1 SS
12	2	08-001001	A	Nut m10, DIN 934, A2
13	2	08-801003	A	Bolt m10x45, DIN4762,A2

ID	Description
A	Silicone grease, O-ring lubrication
B	Anti-seize, O-ring compatible
C	Thread lock/seal
D	PTFE tape

C	Opbygning ændret	20-12-2018	jha
D	O-ring tilføjet	04-03-2019	jha
E	Opbygning ændret	28-03-2019	jha
REV	DESCRIPTION	APP DATE	APP BY

Partnumber: **03-900045**  
Revision nr.: **E**  
Title: **Outlet manifold BS10-20**

