

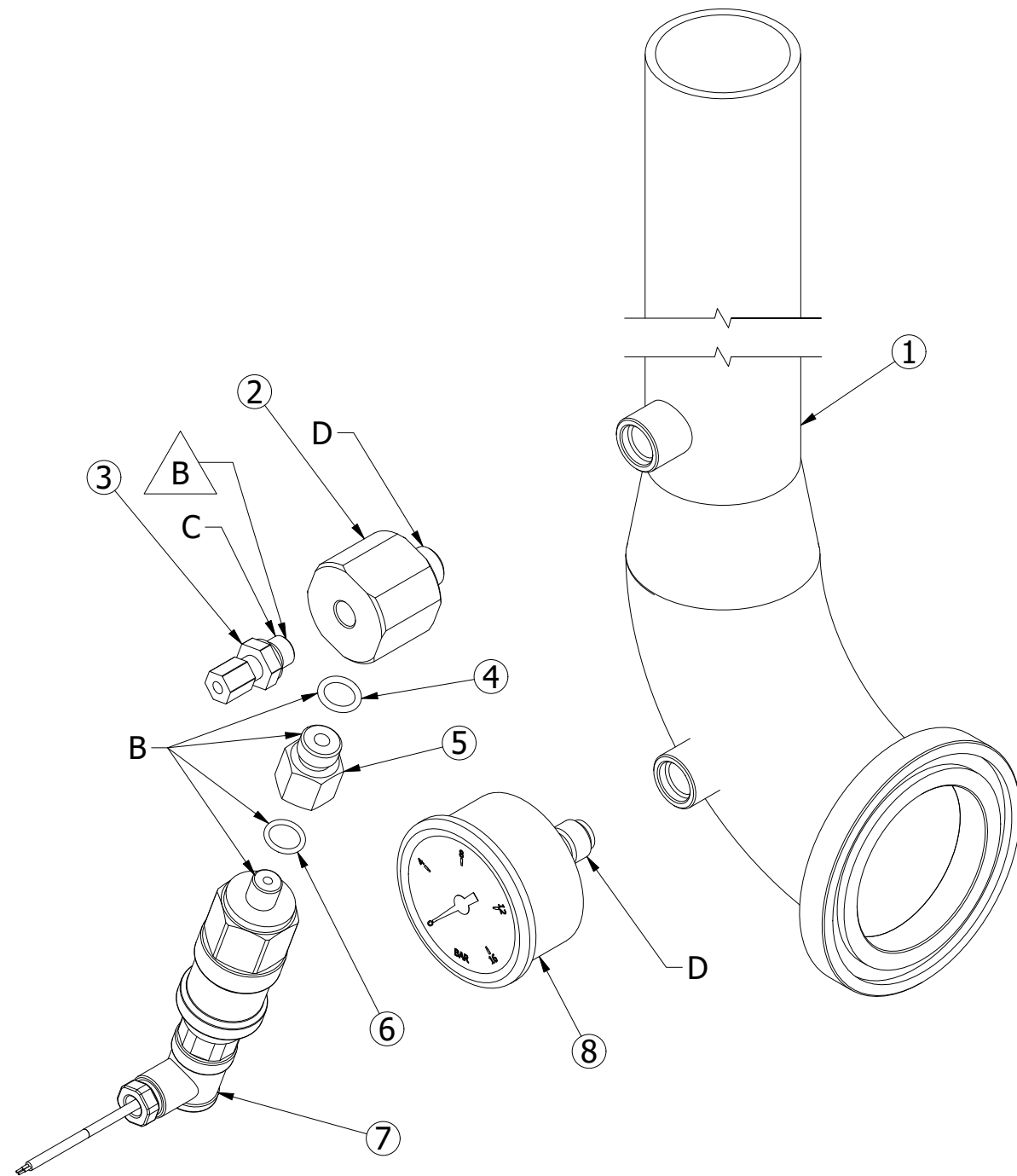
ID	Description
A	Silicone grease, O-ring lubrication
B	Anti-seize, O-ring compatible
C	Thread lock/seal
D	PTFE tape

POS	QTY	PART NUMBER	REVI	TITLE
1	1	06-000007	A	Pump CRNE 10-09, 7,5kW, 3x380-500V/50-60Hz
2	4	08-001201	A	Self lock nut M12, DIN 985, A2
3	2	17-020080	A	O-ring 18x2 EPDM, 70 Sh
4	1	26-100100	A	Compression fitting 1/2"x4 SS
5	1	32-000090	A	Temperature switch 88°
6	4	08-301201	A	Washer ø12, ISO 7089, A2
7	1	46-200100	F	Pump foundation RBS 25-5/25-10, BS
8	4	08-001602	A	Locknut M16 - A2 - DIN 985
9	4	08-001601	A	Nut M16,A2,DIN934
10	4	45-400030-01	A	Machine shoe ø80xM16 H=100mm
11	4	08-201211	A	Bolt m12x45, DIN933, A2
12	2	14-400609	A	Pipe clamp for BS7-20
13	2	08-301001	A	Plain washers DIN 125A 10, A2
14	2	08-801010	A	Insex screw M10x25mm A2 DIN 912
15	2	17-010011	A	O-ring 70x4, NBR, 70sh
16	2	30-740761	A	Flexi clamps ø76,1 SS
17	4	08-001001	A	Nut m10, DIN 934, A2
18	4	08-801003	A	Bolt m10x45, DIN4762,A2
19	1	02-110052	B	Inlet pipe 1.1/2" BSP - BS7-20 - Complete
20	1	02-120052	A	Outlet pipe 1.1/2" BSP - BS7-20 - Complete
21	1	26-100115	A	Udluftningsrør til BS7-20
22	2	42-300110-02	A	Securing bracket
23	4	08-104015	A	Screw for plastic 5x12
24	1	42-300271	A	Beslag for styring 10/15m³ BS 7/10
25	1	36-800029	A	On/off button MS/PS Evo
26	4	08-200607	A	Steel set screw M6x25mm A2 ISO 4017
27	1	69-400450	A	Label BS on/off
28	1	69-330001	A	Safety label
29	1	35-411000	A	Cable 4x2,5² CE UL CSA AWG 16, 3m

REV	DESCRIPTION	APP DATE	APP BY
A	New drawing	30-04-2025	JJA
B	35-410062 changed to 35-410032	22-10-2025	JJA
C	New pump and cable	26-01-2026	JJA

Partnumber: **5100-007020**
 Revision nr.: **C**
 Title: **BS7-20 (3x380-500V/50-60Hz BSP)**





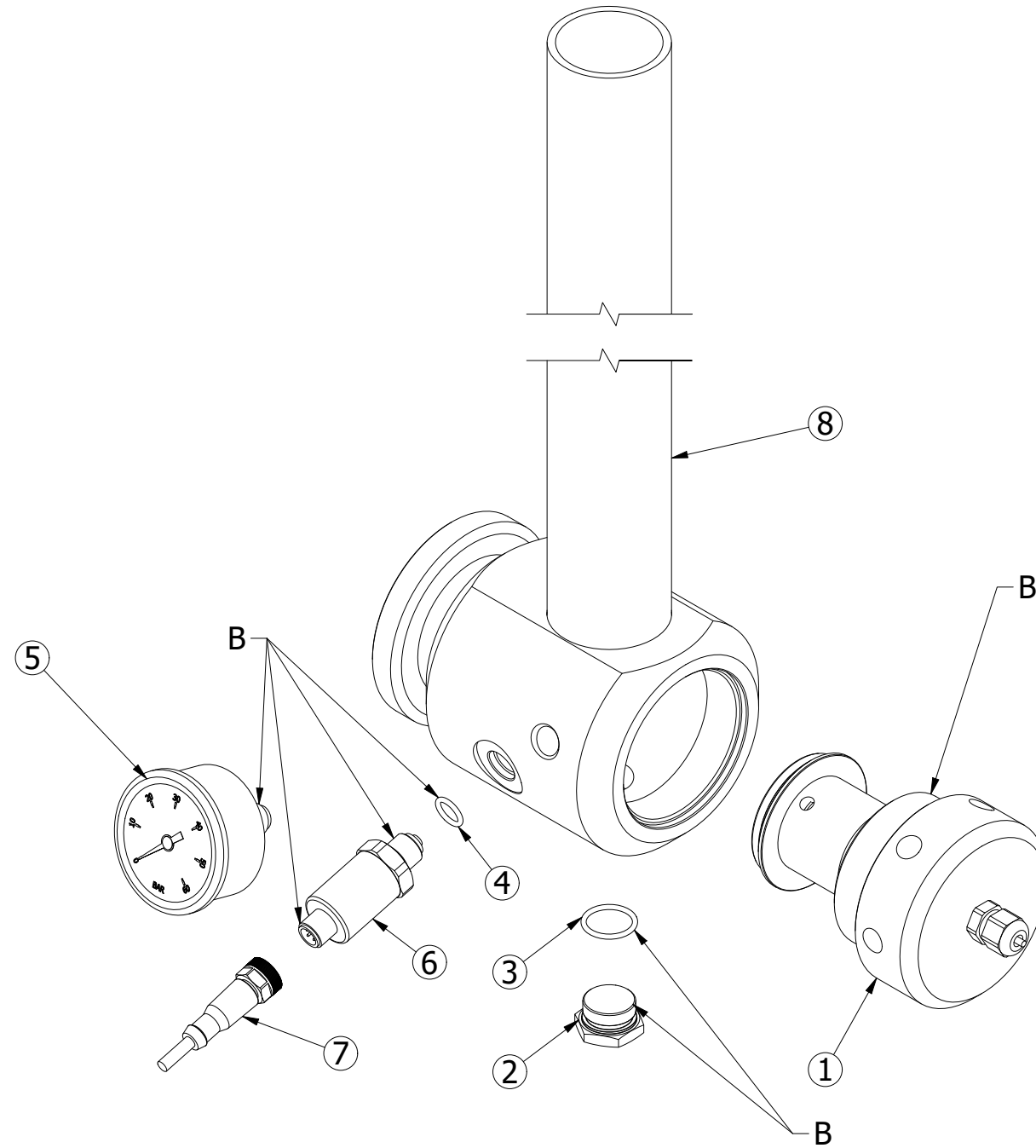
POS	QTY	PART NUMBER	REVI	TITLE
1	1	30-732444	A	Inlet pipe 1.1/2 BSP for BS7-20
2	1	25-500010	A	Manifold 90° ventpipe 1/4"x1/8"x1/8" E/I/I BSP
3	1	26-100019	A	Clamping ring fitting 1/8"x4
4	1	17-020055	A	O-ring 10x2 EPDM, 70sh
5	1	15-200082	B	Socket 1/4"x1/8"
6	1	17-000032	A	O-ring 10,1x1,6 NBR, 70 sh
7	1	35-600064	A	Pressureswitch 1/8" NO, Setpoint 0,8 bar
8	1	22-000044	A	Gauge ø50 0-16 bar SS

ID	Description
A	Silicone grease, O-ring lubrication
B	Anti-seize, O-ring compatible
C	Thread lock/seal
D	PTFE tape

A	New drawing	01-05-2025	JJA
B	26-100019 now has thread lock instead of anti-seize	02-09-2025	JJA
REV	DESCRIPTION	APP DATE	APP BY

Partnumber: **02-110052**
Revision nr.: **B**
Title: **Inlet pipe 1.1/2" BSP - BS7-20 - Complete**





POS	QTY	PART NUMBER	REVI	TITLE
1	1	30-732702	A	xxE Flow/Non-return valve
2	1	16-501203	A	Prop 1/2" SS 8 mm
3	1	17-030006	A	O-ring 18x2, Viton, 70 sh
4	1	17-020055	A	O-ring 10x2 EPDM, 70sh
5	1	22-000042	A	Gauge ø50 0-60 bar SS
6	1	36-100090	A	Pressure transmitter 60 bar 1/4"
7	1	21-000102	A	Straight connector M12x3m
8	1	30-732446	A	Outlet pipe 1.1/2" BSP for BS7-20

ID	Description
A	Silicone grease, O-ring lubrication
B	Anti-seize, O-ring compatible
C	Thread lock/seal
D	PTFE tape

REV	DESCRIPTION	APP DATE	APP BY
A		01-05-2025	

Partnumber: **02-120052**
Revision nr.: **A**
Title: **Outlet pipe 1.1/2" BSP - BS7-20 - Complete**

